

MK 
ARCHERY

MKSD
ARCHERY
SHOOT FOR THE PASSION



RED
(Anodized)

BLUE
(Anodized)

GREEN
(Anodized)

VIOLET
(Anodized)

GOLD
(Anodized)

BLACK
(Anodized)

SILVER
(Anodized)

WHITE
(Painted)

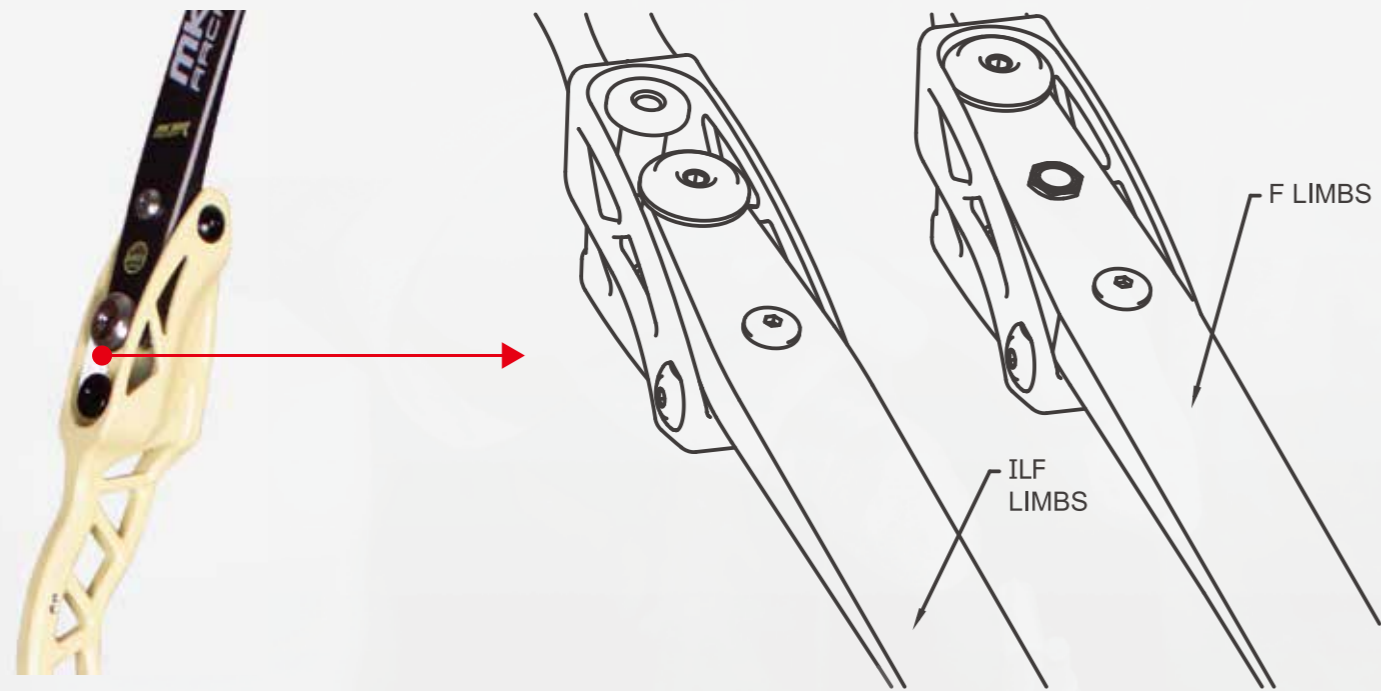
MATT
GRAY
(Painted)

MATT
PASTEL
BLUE
&
WHITE
(Painted)

MATT
PASTEL
BLUE
(Painted)

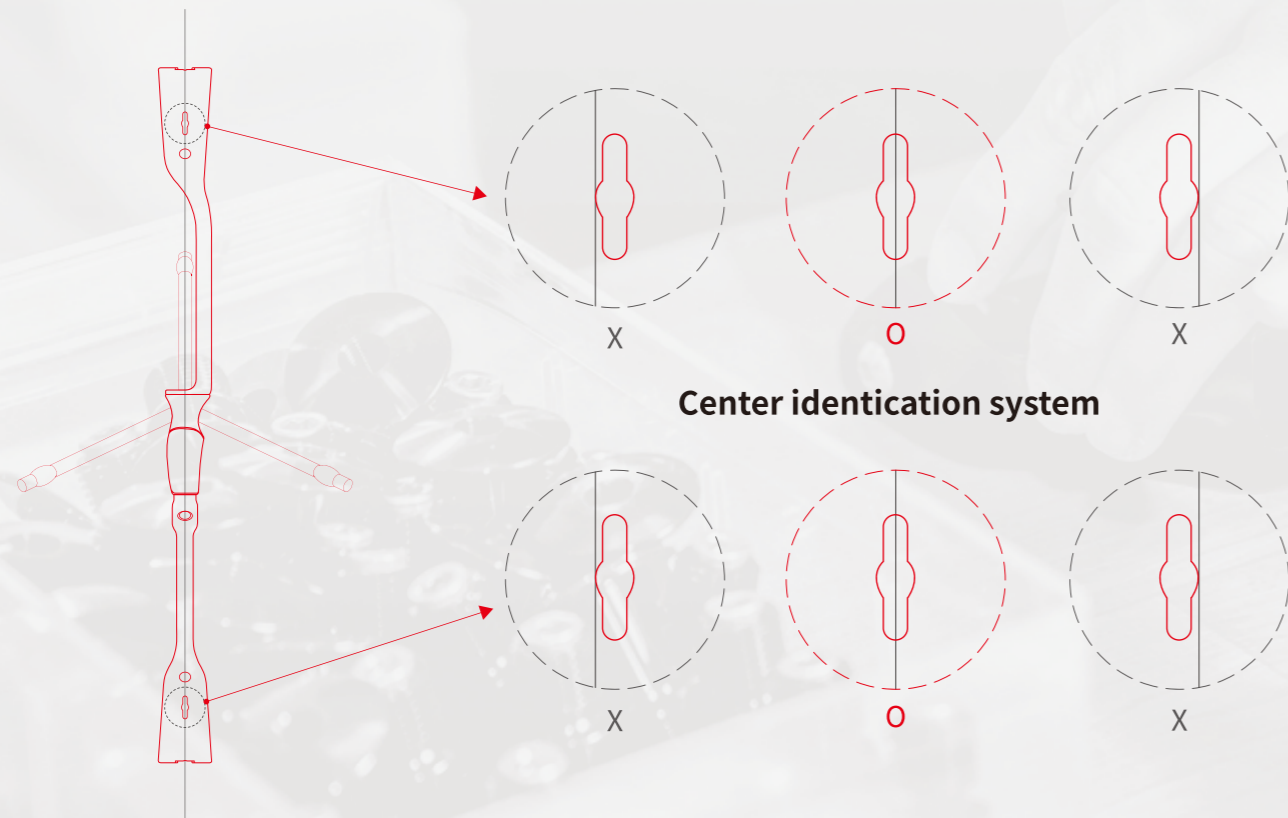
MATT
PASTEL
PINK
(Painted)

MATT
PASTEL
YELLOW
(Painted)



Dual fitting System application (ILF or Formula limbs)

The MK SD riser designed by MK Archery's technology is applied dual-system. This fitting system meaning can be used with ILF or Formula limbs without additional hardware. This system is the world's only fitting system that can be used based on the user's preference.

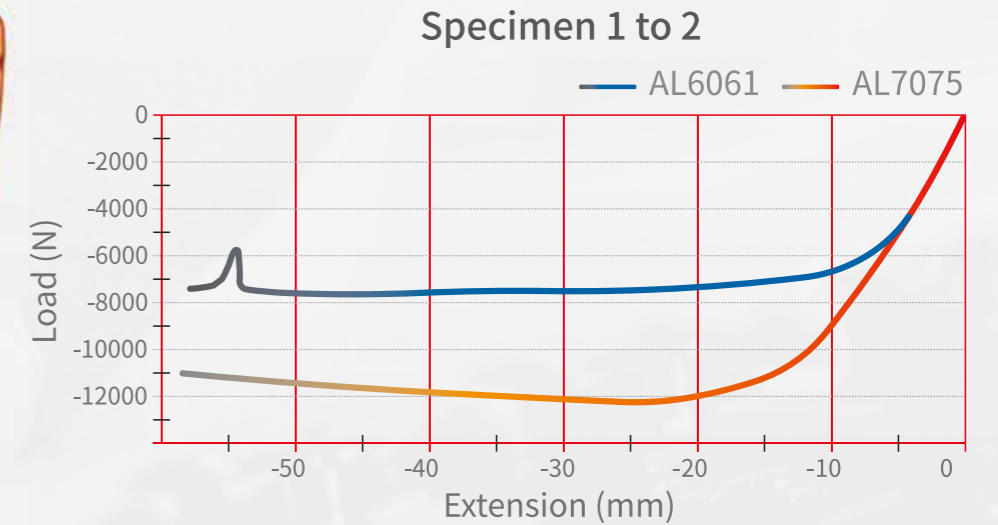


Center identification system application

MK SD riser applied the center identification system to easily check the center for anyone. It makes accurate adjustment easy and increases the accuracy of the setting.

Use of the high strength 7075 aluminum

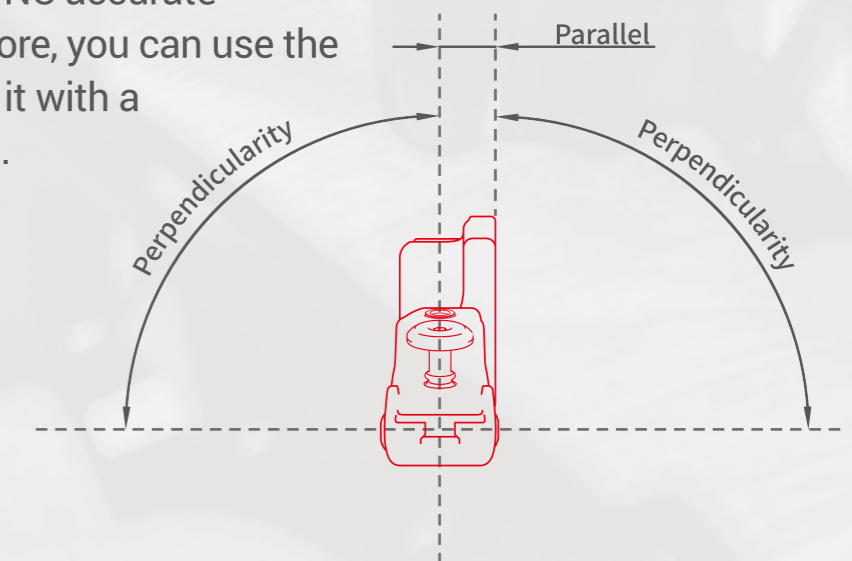
MK SD Riser is made from 7075 Aluminum to raise its durability and to prevent twists or any modifications regardless of frequency of use. Also, MK SD riser maximizes solidity that is the material strength of 7075 Aluminum. It provides stability and a neat feeling of the shooting, thereby increasing the concentration



Test item	AL6061 Test result	AL7075 Test result	Note
Bending Strength	7591.07 N	12299.10 N	Maximum load
Hardness	31.44 HRB	84.55 HRB	Rockwell hardness of the B Scale

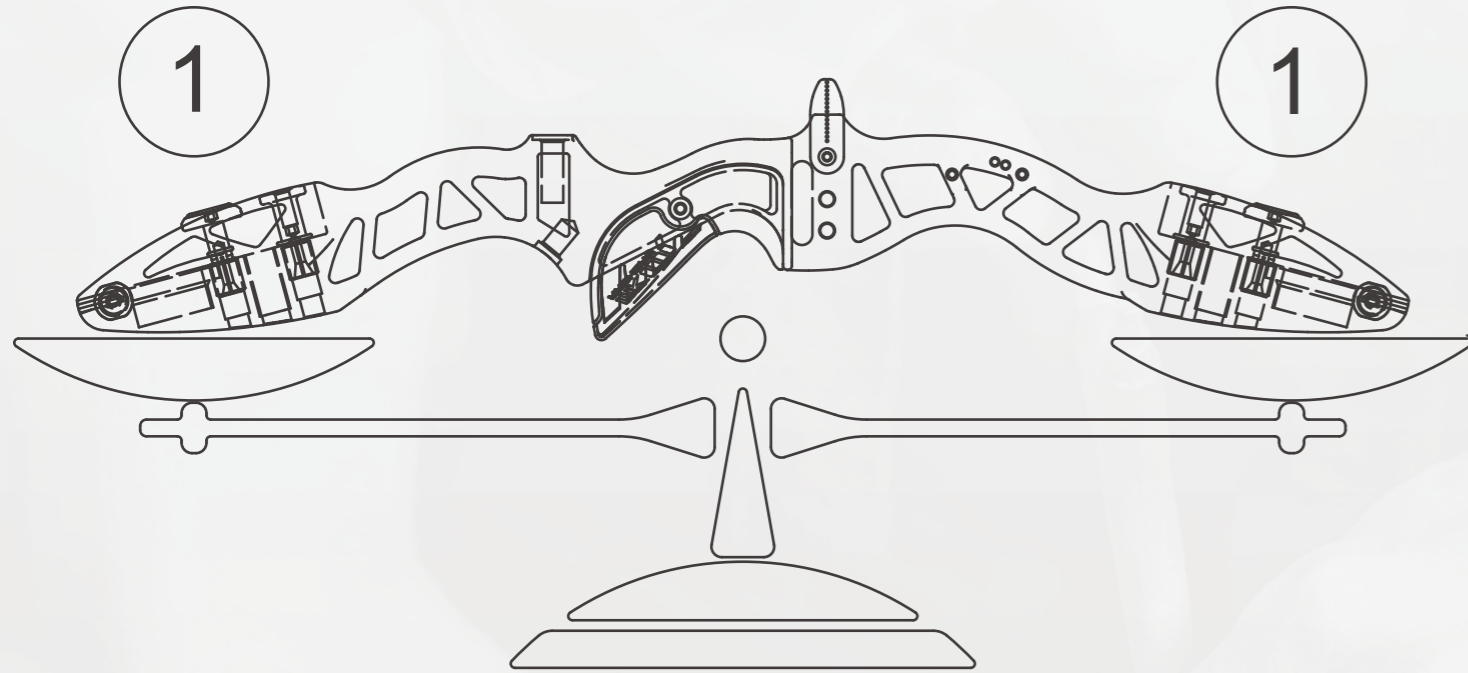
NC accurate manufacturing process application

MK SD Riser pursues accuracy by removing the minute differences of thickness, weight, and angles through the NC accurate manufacturing process. Therefore, you can use the same feeling when you replace it with a new riser without any repulsion.



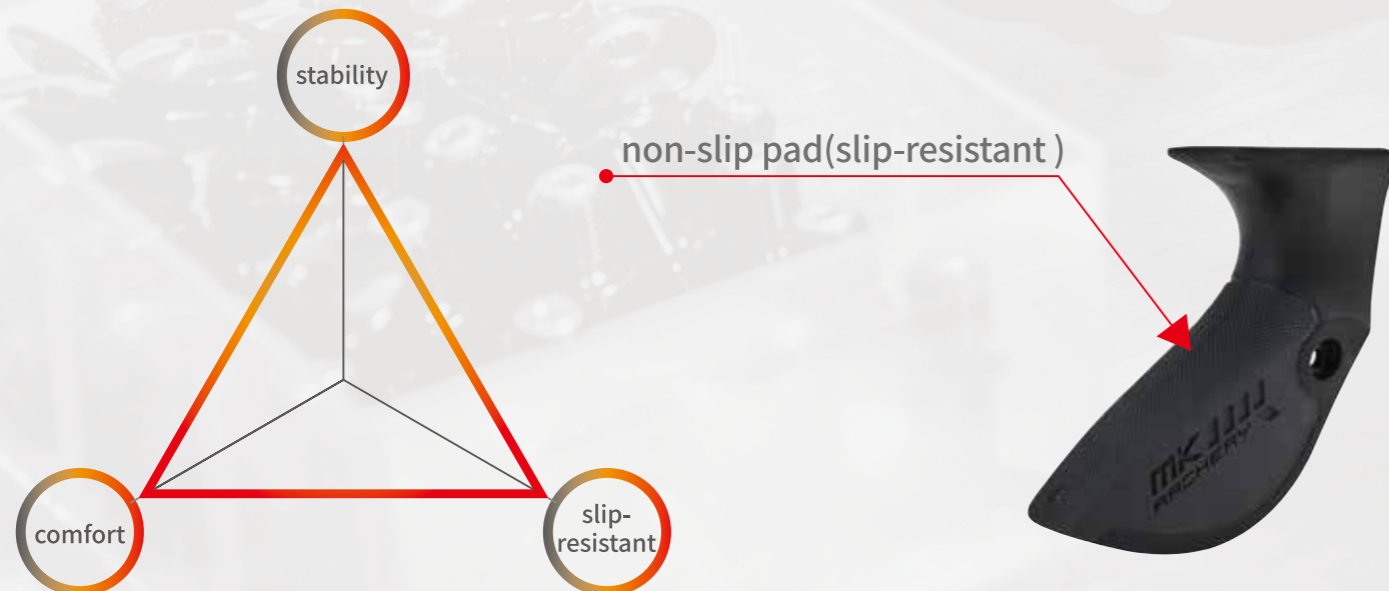
Optimal balanced design

MK SD Riser balances between the top and bottom of the riser, thereby removing the vibration. It enables stable and neat shooting. Also, it adds aesthetic beauty through the balanced design and various pattern designs.



The optimized grip

MK SD Grip increases the user's comfort by finding an optimized center-focused point of force through repeated tests. Also, it applied the non-slip pad that contained constant elasticity to prevent slippage. It allows absorbing the impact of shooting and enables to create a smooth and neat shooting feeling.



**MK ARCHERY
PRODUCT GUIDE**

NEW RISER



MK SD Riser

ILF&F Riser / Length_25 / 1,300g

Type_RH / LH / Material_7075 AL

※ Using the slip-resistant grip

※ Matte Color



MK SD
ILF & F



MKS Riser

ILF Riser / Length_25 / 1,320g

Type_RH / LH / Material_7075 AL

※ Using the slip-resistant grip

※ Matte Color



MK S
ONLY ILF

MK RISER



MKZ Riser

ILF Riser / Length_25 / 1,320g

Type_RH / LH / Material_7075 AL

※ Using the slip-resistant grip

※ Matte Color



MK ALPHA Riser

ILF&F Riser / Length_25 / 1,130g

Type_RH / LH / Material_7075 AL

※ Using the slip-resistant grip

※ Matte Color



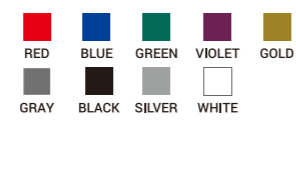
MK BETA Riser

ILF&F Riser / Length_25 / 1,320g

Type_RH / LH / Material_7075 AL

※ Using the slip-resistant grip

※ Matte Color



L3 Riser

ILF / Length_23-25 / 1,200g / RH

ILF / Length_23 / 1,100g / RH

Material_Special aluminum alloy

※ Only ILF Riser



※ Using the slip-resistant grip

MK LIMBS



MX ILF LIMBS

Foam core, Fabric carbon and Unidirectional high modulus carbon

Short(66") / Medium(68") / Long(70") available in 32 to 48 lbs. in 2 lb. increments



MX F-SERIES LIMBS

Foam core, Fabric carbon and Unidirectional high modulus carbon

Short(66") / Medium(68") / Long(70") available in 32 to 48 lbs. in 2 lb. increments



L3 WOOD LIMBS

Wood core, Fabric carbon and Unidirectional high modulus carbon

Short(66") / Medium(68") / Long(70") available in 26 to 44 lbs. in 2 lb. increments



L3 FOAM LIMBS

Foam core, Fabric carbon and Unidirectional high modulus carbon

Short(66") / Medium(68") / Long(70") available in 26 to 44 lbs. in 2 lb. increments

MK LIMBS



ZEST ILF LIMBS

Wood core, Fabric carbon and Unidirectional high modulus carbon

Short(66") / Medium(68") / Long(70") available in 32 to 48 lbs. in 2 lb. increments



ZEST F-SERIES LIMBS

Wood core, Fabric carbon and Unidirectional high modulus carbon

Short(66") / Medium(68") / Long(70") available in 32 to 48 lbs. in 2 lb. increments



L2 ILF LIMBS

Wood core, Fiber Glass and Unidirectional high modulus carbon

Short(66") / Medium(68") / Long(70") available in 26 to 42 lbs. in 2 lb. increments



L2 F-SERIES LIMBS

Wood core, Fiber Glass and Unidirectional high modulus carbon

Short(66") / Medium(68") / Long(70") available in 26 to 42 lbs. in 2 lb. increments

MK STABILIZER

MK-XR

LONG : 30" / 28" / 26"



SHORT : 14" / 12" / 11" / 10"



EXTENDER : 6" / 5" / 4"



INPERS

LONG : 30" / 28" / 26"



SHORT : 14" / 12" / 11" / 10"



EXTENDER : 6" / 5" / 4" / 3"



MK V-BAR I

Type : 40° / 45°
 Total Weight : 58g
 Material : Aluminum
 Nut Standard : 5/16 -24 Threads
 Bolt(SUS) Weight : 54g
 Bolt & Nut Standard : 5/16 -24 Threads



MK V-BAR II

Type : 40° / 45°
 Total Weight : 66g
 Material : Aluminum
 Nut Standard : 5/16 -24 Threads
 Bolt(SUS) Weight : 54g
 Bolt & Nut Standard : 5/16 -24 Threads



MK V-BAR DUAL

Type : 35° OR 40°
 Total Weight : 70g
 Material : Aluminum
 Nut Standard : 5/16 -24 Threads
 Bolt(SUS) Weight : 54g
 Bolt & Nut Standard : 5/16 -24 Threads



Total Weight : 31g(1 oz)
 Bolt Standard :
 1/4 -20 Threads



Total Weight : 62g(2 oz)
 Bolt Standard :
 1/4 -20 Threads



Total Weight : 93g(3 oz)
 Bolt Standard :
 1/4 -20 Threads



Total Weight : 92g(3 oz)
 Bolt Standard & Nut Standard
 1/4 -20 Threads



MK D1

40mm X 26mm
 Weight : 35g
 Thread 1/4-20

